

MARSH PLANT HIRE LTD

# JCB 540v-140



JCB LOADALL | 540-140



SERVICE CAPACITIES

Fuel tank	litres (UK gal)	125 (27.5)
Hydraulic tank	litres (UK gal)	131 (28.8)
Coolant	litres (UK gal)	23 (5.1)

HYDRAULICS

Two stage gear pump with suction strainer and filter.

Operating system pressure	bar (psi)	241 (3500)
Main Hydraulics	litres/min	110
<b>Hydraulic Cycle Times</b>		<b>Seconds</b>
Boom raise		14.2
Boom lower		11.9
Extend		22.3
Retract		18.6
Bucket dump		2.4
Bucket crowd		3.2

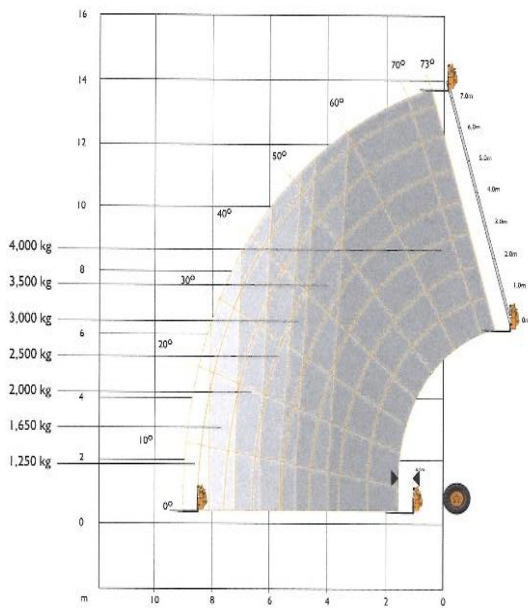
ENGINE

Latest technology and advanced design provides low fuel consumption, reduced noise, high torque and power output, total reliability and minimal maintenance.

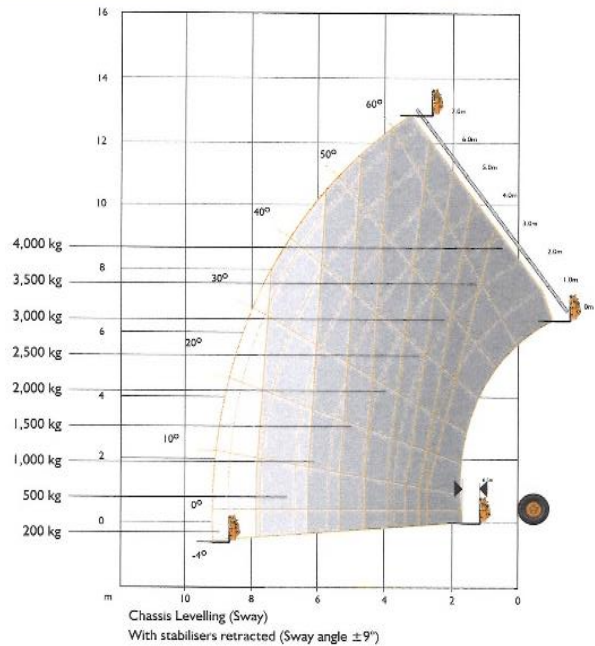
Two-stage, dry type air filter with primary and safety elements.

Machine Model		Standard	Option	Option
Displacement	ltr (cu ft)	4.4 (269)	4.4 (269)	4.4 (269)
No. of cylinders		4	4	4
Bore size	mm (in)	105 (4.13)	105 (4.13)	105 (4.13)
Stroke	mm (in)	127 (5)	127 (5)	127 (5)
Aspiration		Naturally aspirated	Turbo	Turbo intercooled
<b>Power rating</b>				
Power @ 2200rpm	kW (HP)	62.0 (82.5)	74.5 (100)	90.5 (121)
<b>Torque rating</b>				
Torque	Nm (lbf ft)	308 (227)	415 (306)	434 (320)

LIFT PERFORMANCE – STABILISERS EXTENDED



LIFT PERFORMANCE – STABILISERS RETRACTED



LIFT PERFORMANCE – STABILISERS EXTENDED

Machine Model		540-140
Maximum lift capacity	kg (lb)	4000 (8818)
Lift capacity to full height	kg (lb)	4000 (8818)
Lift capacity at full reach	kg (lb)	1250 (2756)
Lift height	m (ft-in)	13.8 (45-3)
Reach at maximum lift height	m (ft-in)	0.74 (2.5)
Maximum forward reach	m (ft-in)	9.25 (30-4)
Reach with 1 tonne load	m (ft-in)	9.25 (30-4)
Placing Height	m (ft-in)	13.25 (43-6)

Complies with stability test EN1459 annex B. Lift heights are with stabilisers fully extended.

LIFT PERFORMANCE – STABILISERS RETRACTED

Machine Model		540-140
Maximum lift capacity	kg (lb)	4000 (8818)
Lift capacity to full height	kg (lb)	2000 (4410)
Lift capacity at full reach	kg (lb)	200 (44)
Lift height	m (ft-in)	12.82 (42-1)
Reach at maximum lift height	m (ft-in)	2.94 (9-8)
Maximum forward reach	m (ft-in)	9.25 (30-4)
Reach with 1 tonne load	m (ft-in)	6.25 (20-6)
Placing Height	m (ft-in)	12.25 (40-2)

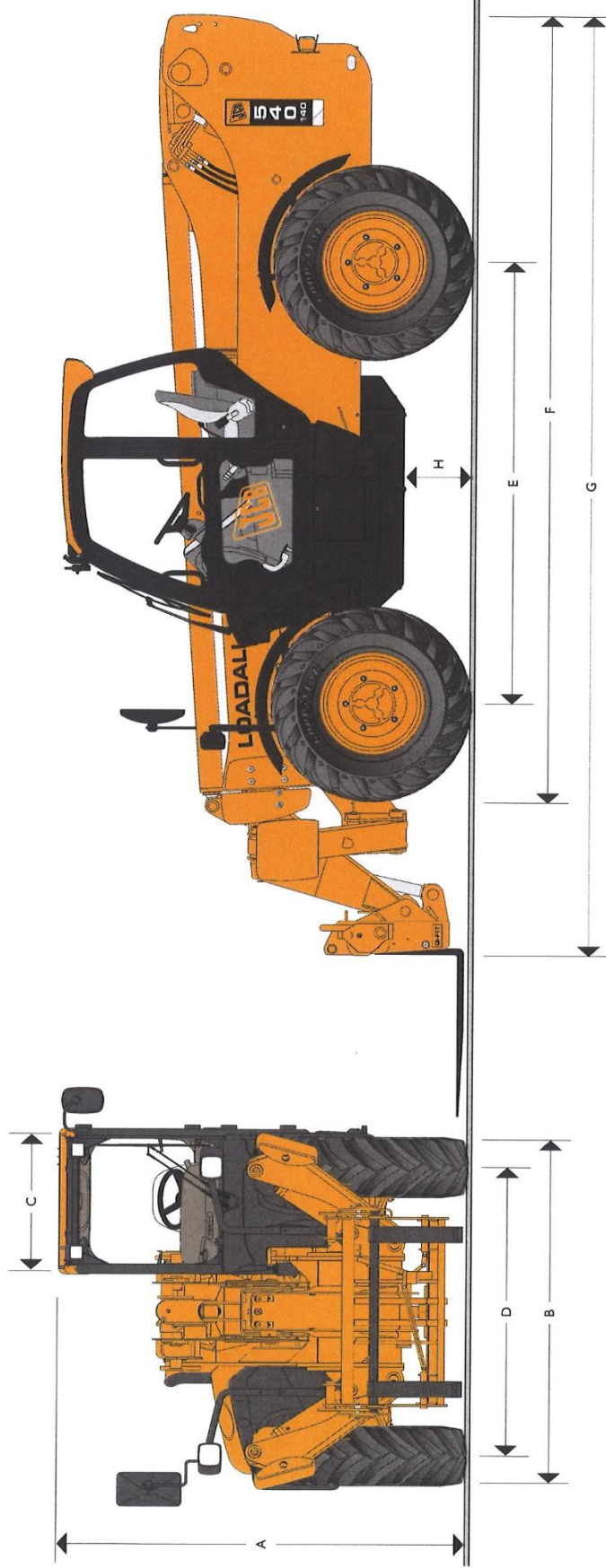
Complies with stability test EN1459 annex B.



# JCB LOADALL | 540-140



MAX. PAYLOAD: 4.0 tonnes (8818lb)  
 MAX. LIFT HEIGHT: 13.8 metres (45ft 3in)



## STATIC DIMENSIONS

Machine model	540-140	540-140	
	m (ft-in)	m (ft-in)	
A Overall height	2.59 (8-6)	G Overall length to front carriage	6.25 (20-6)
B Overall width (over tyres)*	2.35 (7-9)	H Ground clearance	0.40 (1-4)
C Inside width of cab	0.94 (3-1)	Outside turn radius (over tyres)	4.10 (13-5)
D Front track	1.90 (6-3)	Weight	10858 (23934)
E Wheelbase	2.90 (9-6)	Tyres	15.5-25
F Overall length to front tyres	5.18 (17-0)		

\*Dependant upon tyre specified.